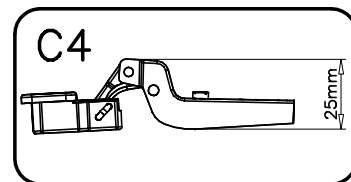
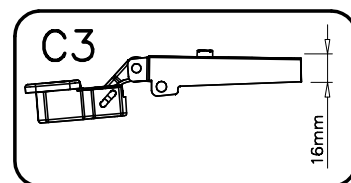
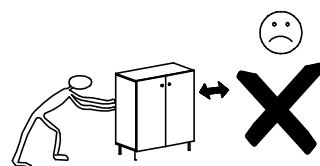
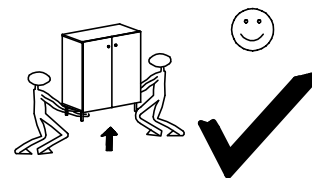
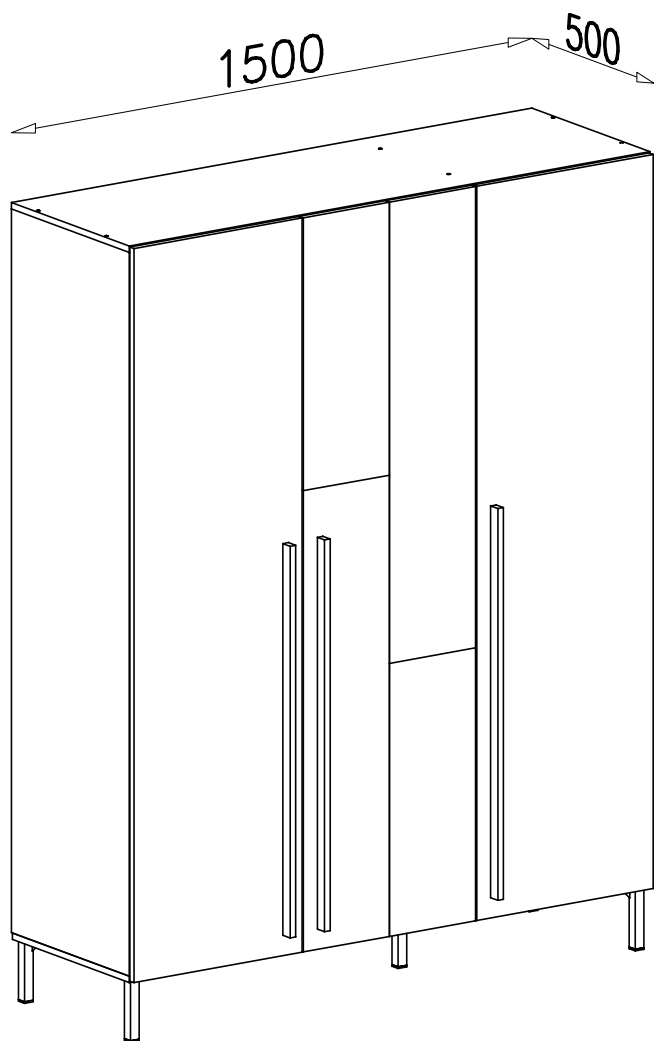
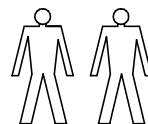
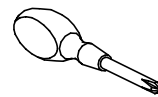
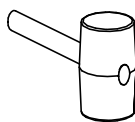
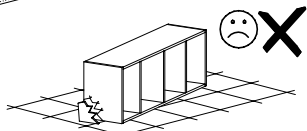
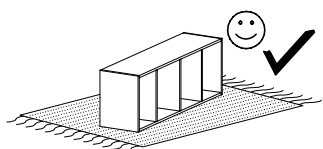


# SERGIO SE 1



<b>S1</b> 1766mm x1	<b>F1</b> x8
<b>G10</b> 6x13 x15	<b>S5</b> 956mm x1
<b>B2</b> ø6x30 x12	<b>G8</b> 4x30 x12
<b>E2</b> 957mm x3	<b>C4</b> Z350D x3
<b>I7</b> ø18 x4	<b>W1</b> GLUE, LEIM, LEPIDLO, LIM x2
<b>D3</b> PZ35 x9	<b>C3</b> Z35PR x6
<b>W2</b> x1	<b>G4</b> 4x16 x18
<b>A1</b> ø7x50 x16	<b>B7</b> ø8x30 x30
<b>P7</b> x5	<b>G2</b> 3x20 x70
<b>K5</b> x4	<b>S4</b> x2
<b>K1</b> ø15x12 x4	

**B2**  
ø6x30 x12



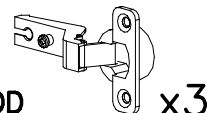
**G8**  
4x30 x12



**E2**  
957mm x3



**C4**  
Z350D x3



**S2**  
x12



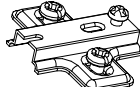
**I7**  
ø18 x4



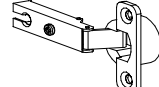
**W1**  
GLUE, LEIM, LEPIDLO, LIM x2



**D3**  
PZ35 x9



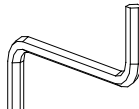
**C3**  
Z35PR x6



**G6**  
3x13 x2



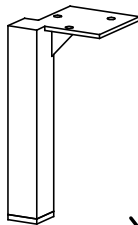
**W2**  
x1



**G4**  
4x16 x18



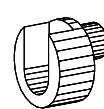
**P7**  
x5



**G2**  
3x20 x70



**S4**  
x2



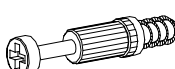
**A1**  
ø7x50 x16



**B7**  
ø8x30 x30

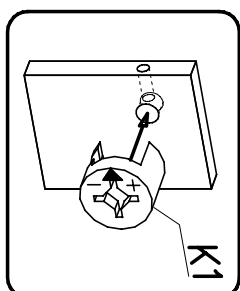
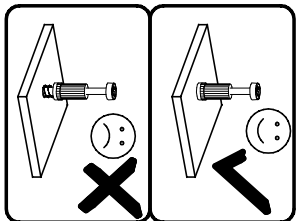
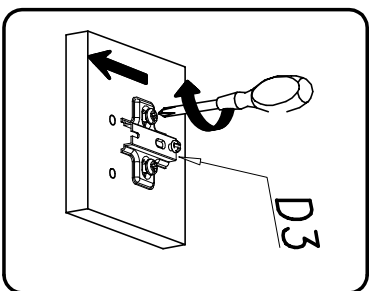
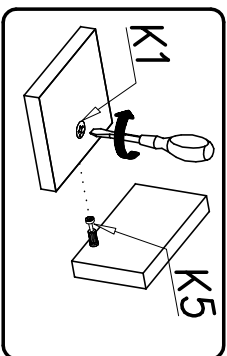
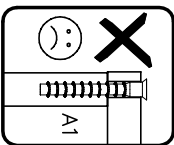
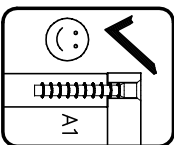
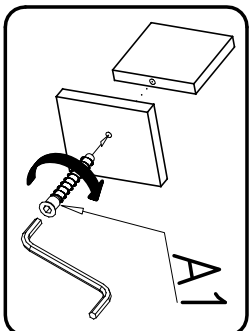
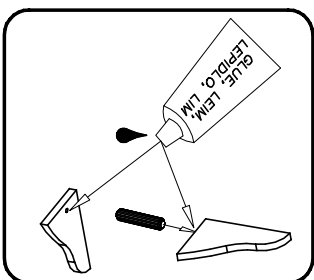
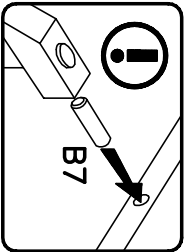
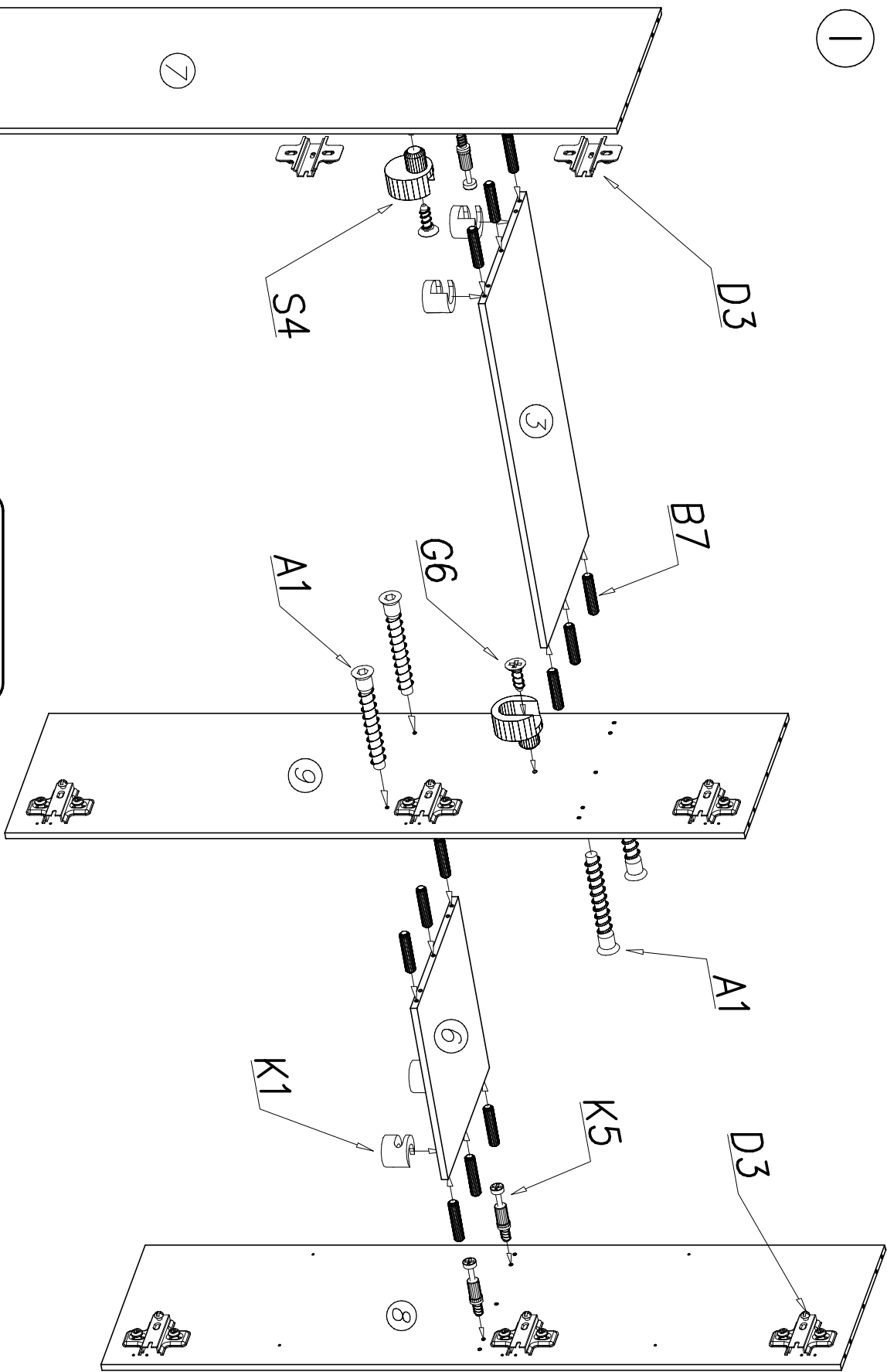


**K5**  
x4

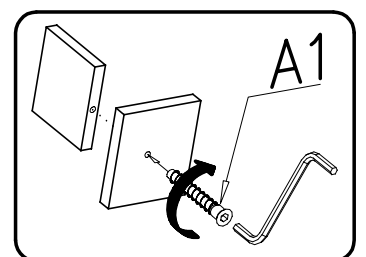
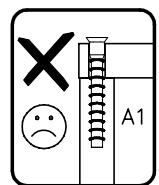
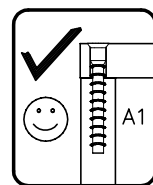
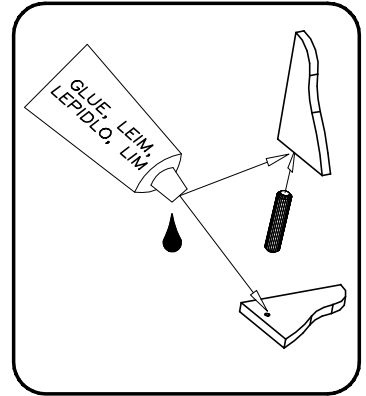
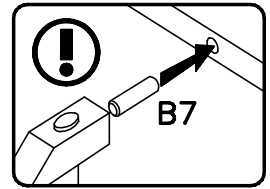
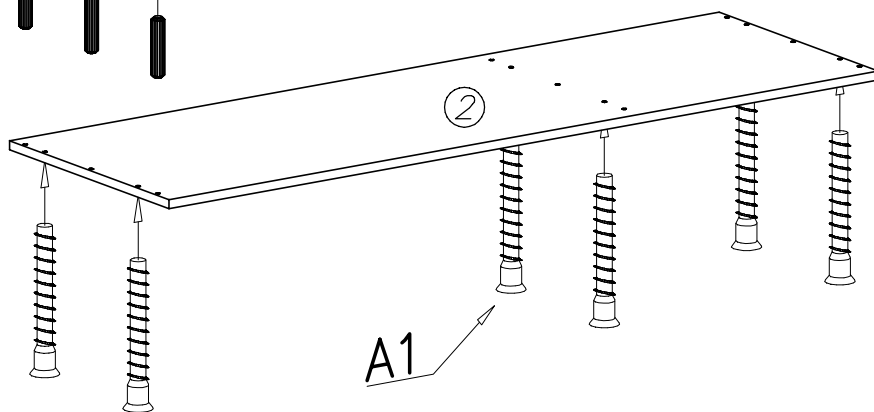
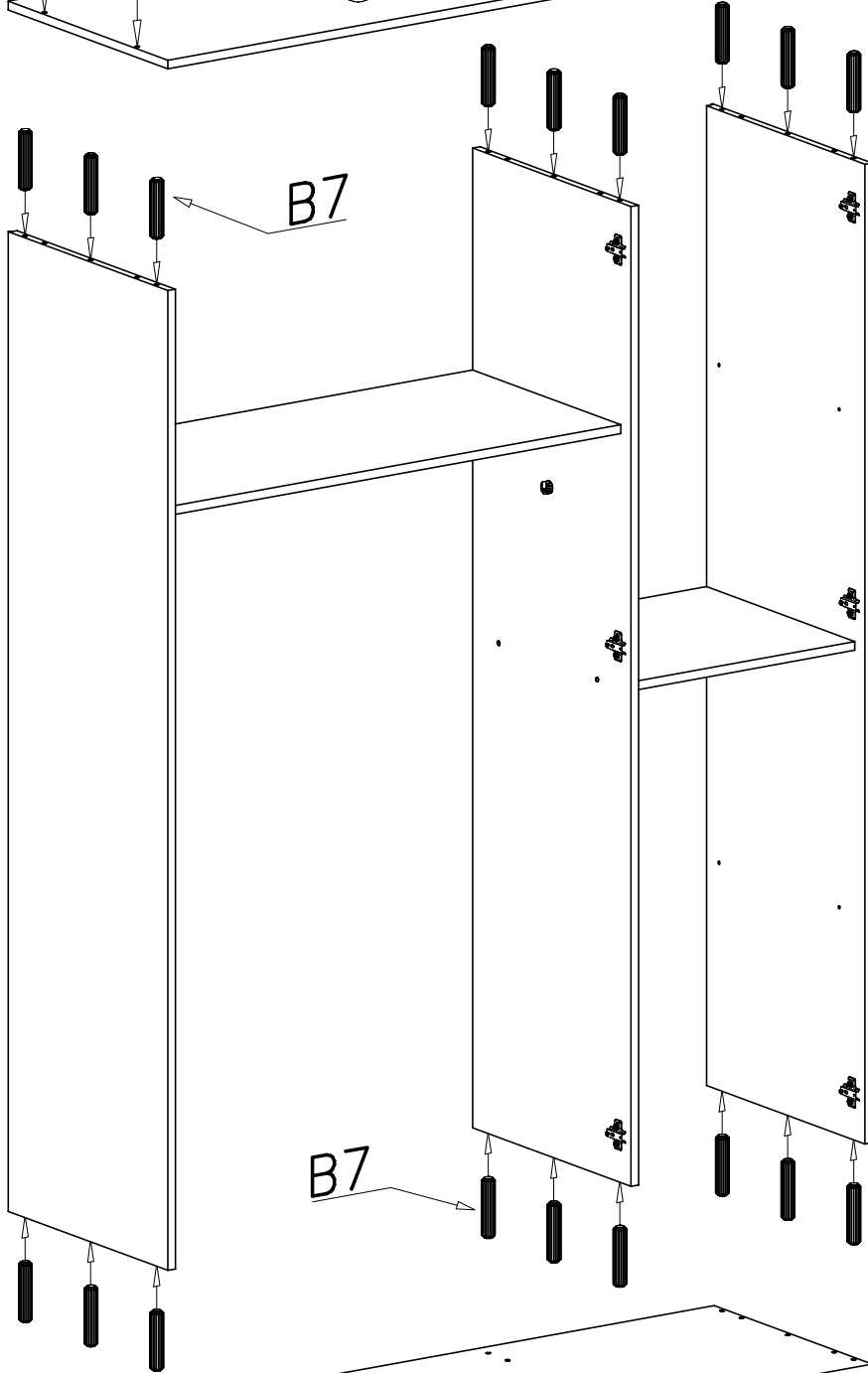
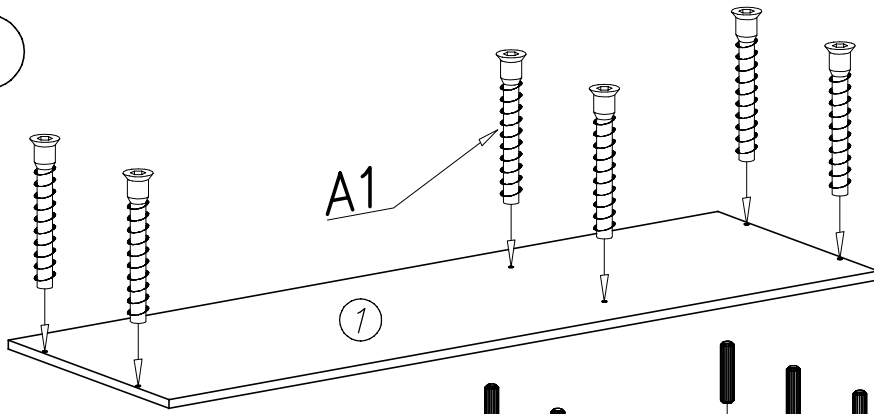


**K1**  
ø15x12 x4

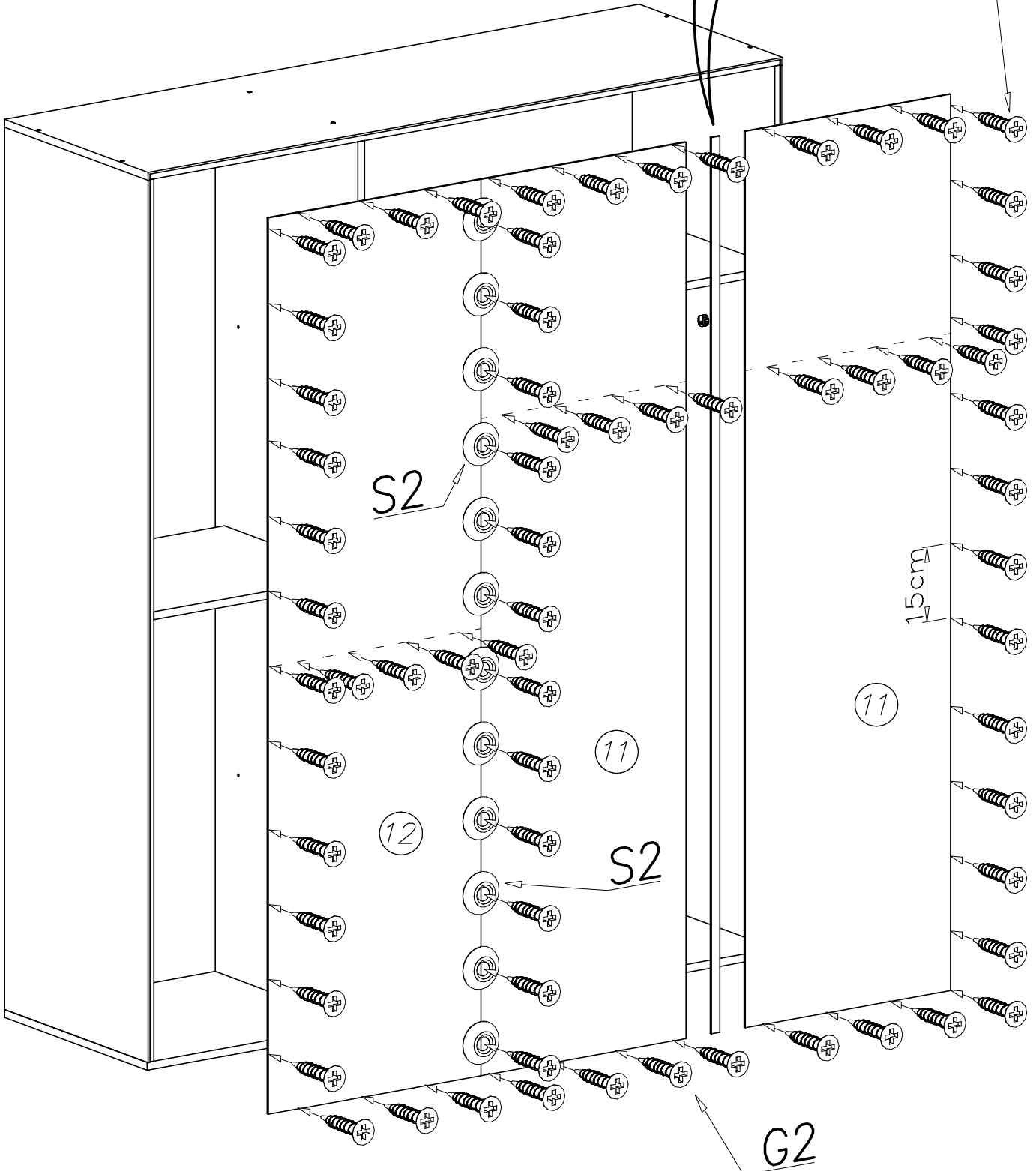
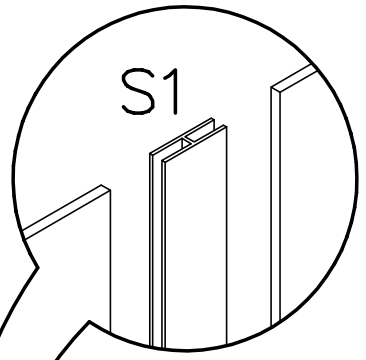
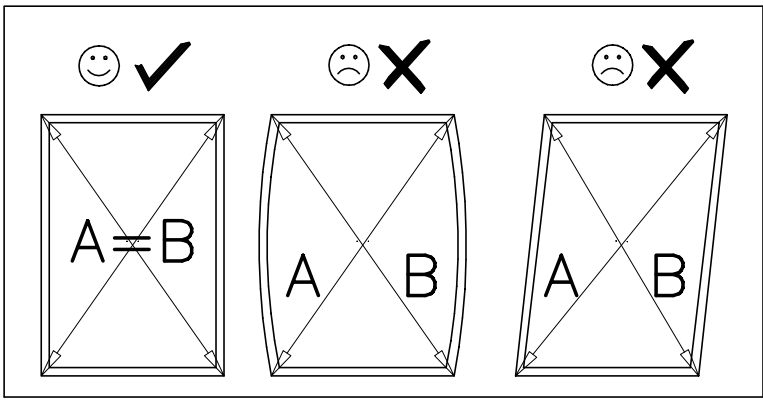




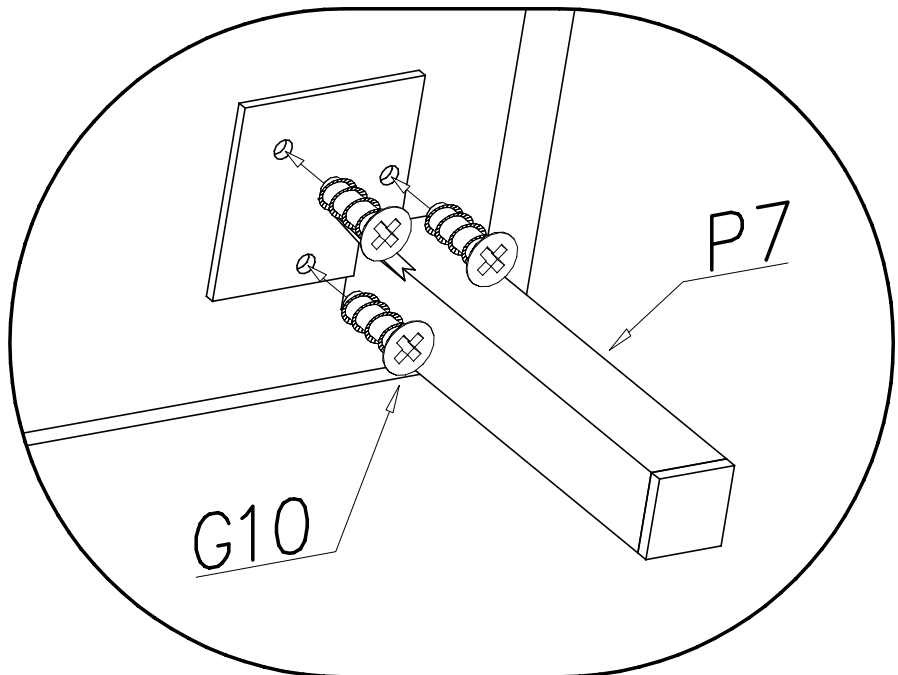
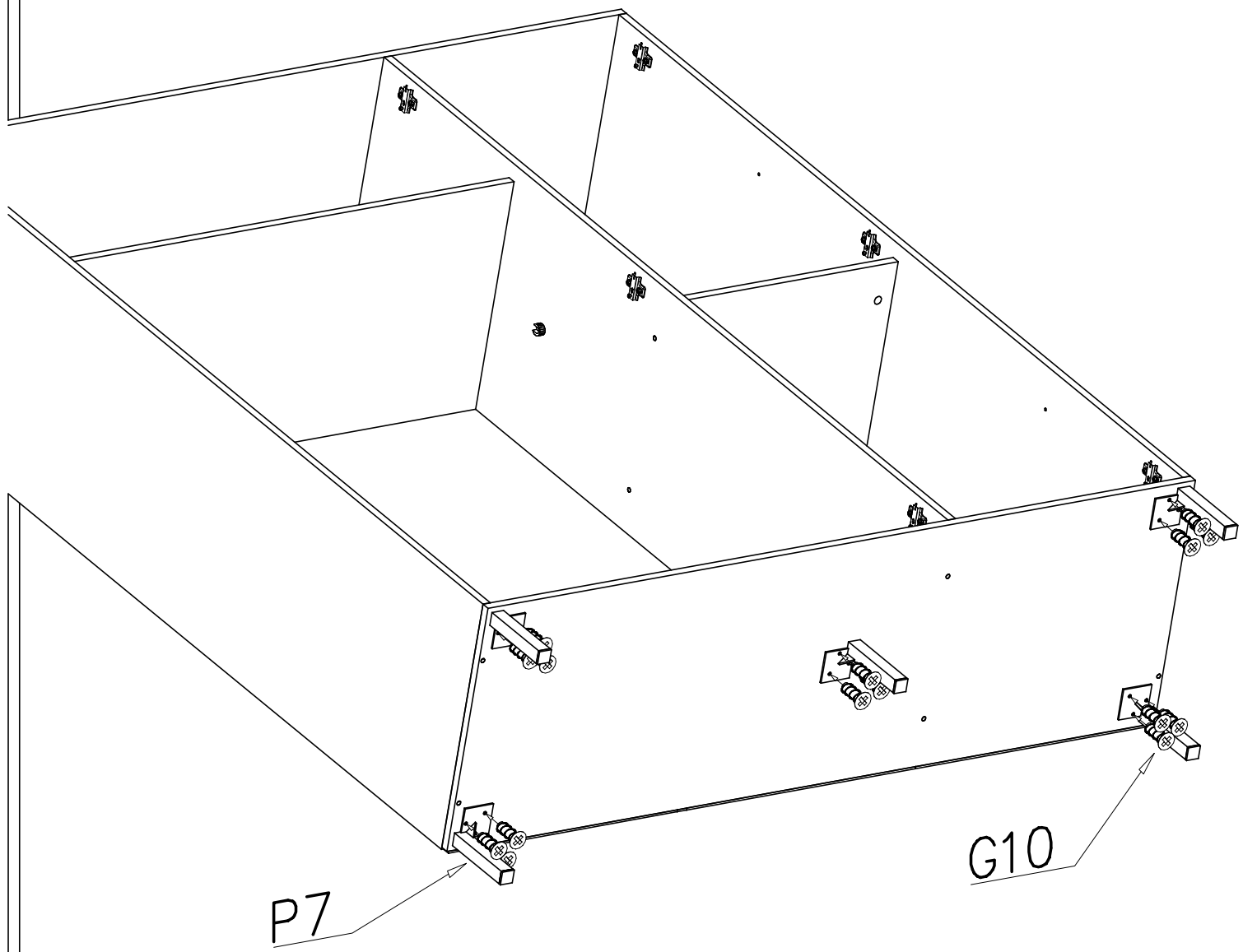
II



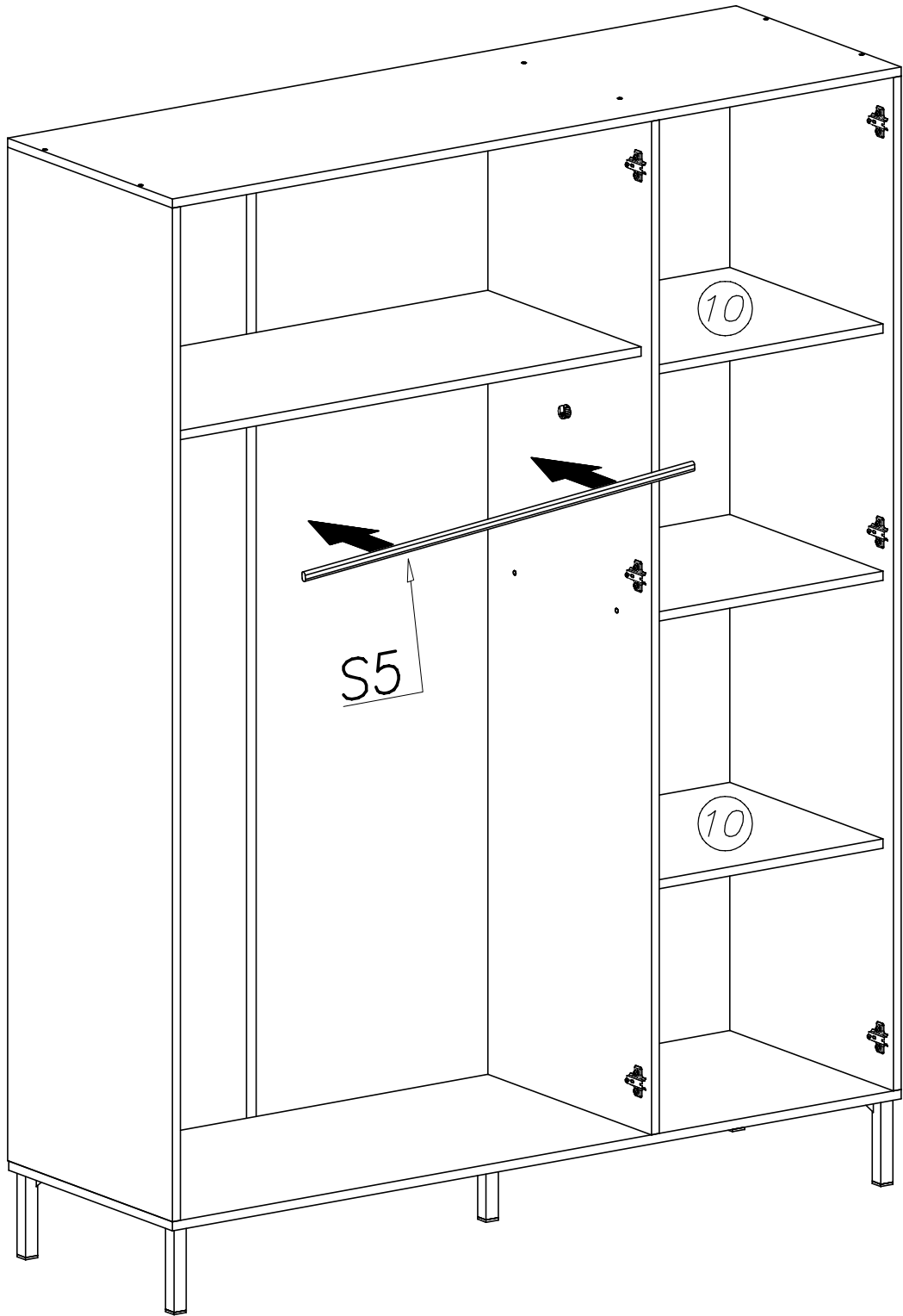
III



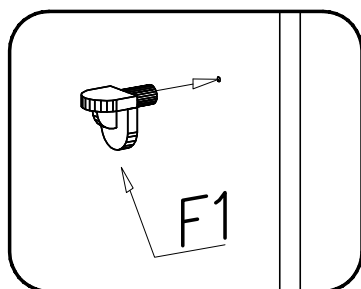
IV



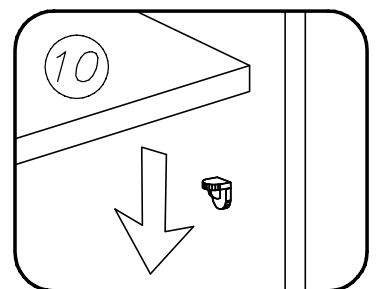
V

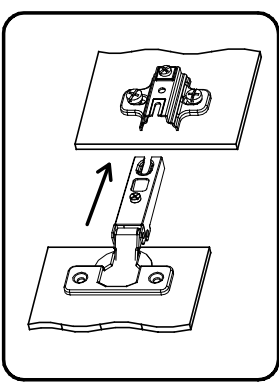
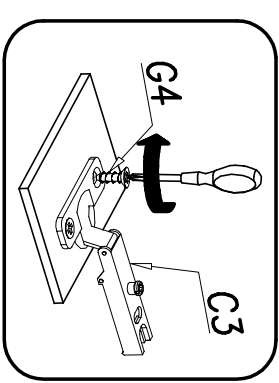
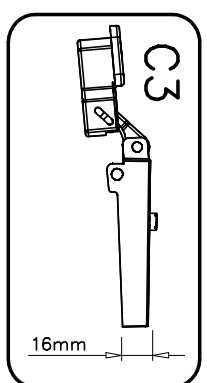
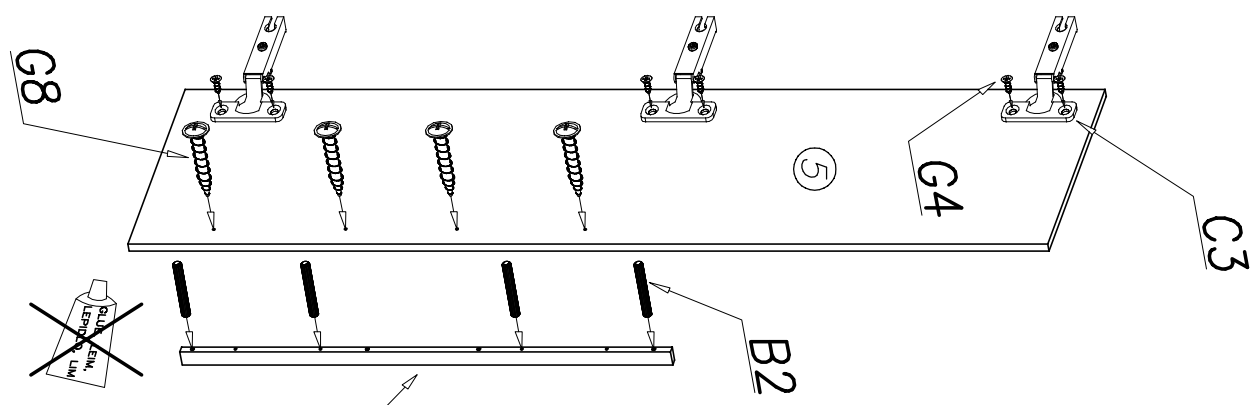
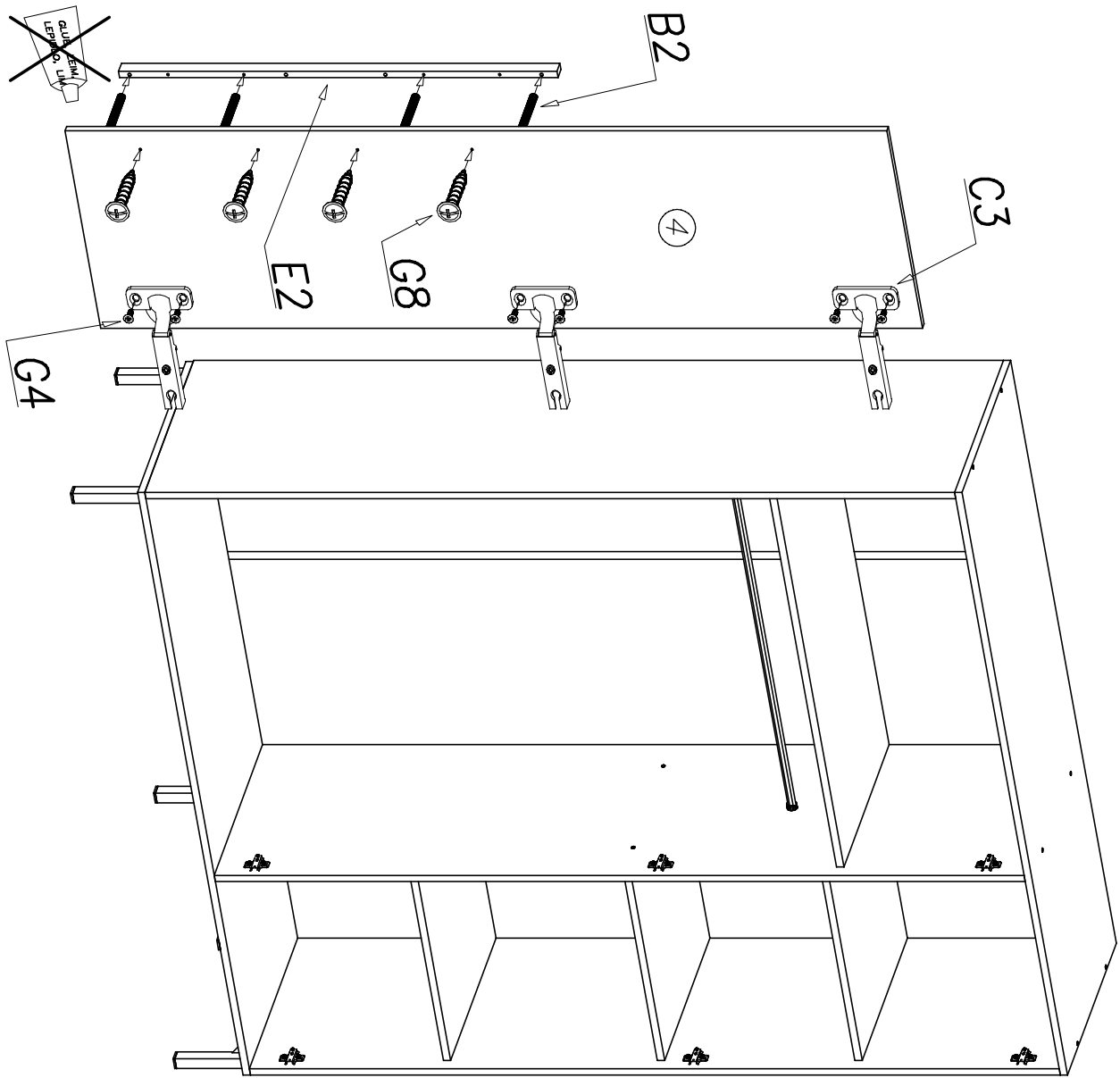


1



2





VII

